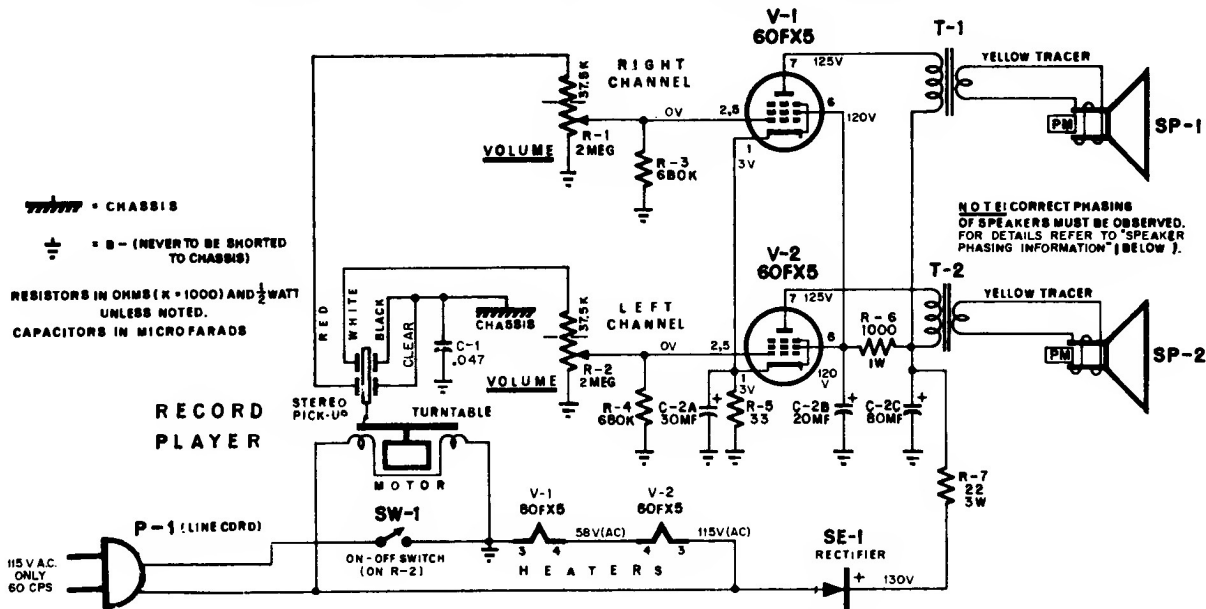


EMERSON Models P-1921, -A, Chassis 120567B



CONDITIONS FOR VOLTAGE AND RESISTANCE MEASUREMENTS

1. All voltages measured with VTVM, negative lead to B- (common lead of C-2), volume control set at minimum.
2. All resistance readings taken with AC cord disconnected, negative lead to B- (common lead of C-2), motor switch in "OFF" position.
3. (*) Indicates varying resistance - allow 30 seconds for meter to settle.
4. (**) Reading given varies with setting of volume control.
5. (N.C.) Denotes no connection.

SYMBOL	TUBE TYPE	PIN 1	PIN 2	PIN 3	PIN 4	PIN 5	PIN 6	PIN 7
V-1	60 FX5	33	10Ω to $510k$ **	0	85	10Ω to $510k$ **	*1 MEG	*1 MEG
V-2	60 FX5	33	10Ω to $510k$ **	170	85	10Ω to $510k$ **	*1 MEG	*1 MEG